



Cetetherm AquaPlate

A range of removable plate and gaskets heat exchangers



APPLICATIONS

Heat exchangers for comfort heating or domestic hot water (DHW) applications with capacities between 30kW and 1000 kW. Applications:

- Apartment blocks
- Hospitals
- Hotels
- Retirement homes and care centres
- Schools
- Leisure centres
- Tertiary buildings

GENERAL

- Heat exchangers with stainless steel 316 plates, highly efficient and easily removable
- Plate thickness 0.5 mm
- Space between plates 2.5mm minimum (low fouling)
- Gaskets of excellent sanitary quality in EPDM FF, type «Clip-on»
- Heat exchanger with scalable tightening allowing several disassemblies without need of changing gaskets consistently and allowing to increase the capacity by adding plates
- Thick steel frame with durable epoxy paint
- Nuts and bolts in electro-galvanized steel
- 2 aluminum guides for disassembling / mounting or adding plates
- Support feet with 3 fixing holes
- Standard operating in countercurrent flow direction and parallel, with possibility to operate in co-current
- ACS certified heat exchangers on the complete range (French sanitary certification)
- On M6 version: additional secondary connections for adding extras like valves, drain valves, temperature sensors...
- PPE insulation included

SELECTION TABLE

Primary		Primary 80°C Secondary 10-60°C	Primary 70°C Secondary 10-60°C			Part-number
flow rate	pres. drop	capacity	flow rate	capacity	flow rate	
m ³ /h	kPa	kW	L/s	kW	L/s	
1,2	48	30	0,1	18	0,1	AP407
2,8	32	95	0,5	60	0,3	AP417
5,2	42	175	0,8	110	0,5	AP427
6,3	25	260	1,2	175	0,8	AP445
8,7	32	295	1,4	185	0,9	AP813
10,7	15	430	2,1	280	1,3	AP823
14,3	17	600	2,9	400	1,9	AP831
15,4	7	750	3,6	520	2,5	AP855
3,9	36	225	1,1	165	0,8	AP713
5	33	285	1,4	220	1,1	AP717
6	19	385	1,8	295	1,4	AP727
9	21	575	2,7	440	2,1	AP737
12,4	28	785	3,7	590	2,8	AP745
13,8	20	920	4,4	710	3,4	AP769

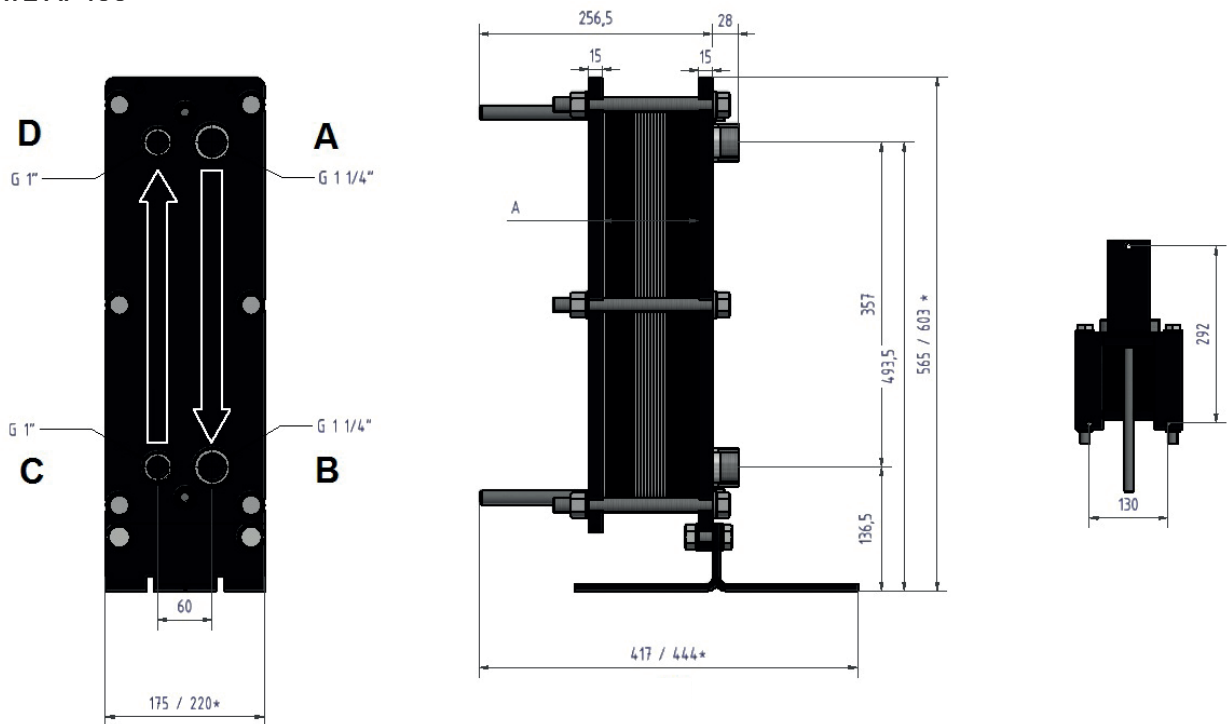
Maximum free pressure on secondary :

Primary 80°C	Primary 70°C	Series
kPa	kPa	
16	8	AP400
12	5	AP800
37	20	AP700

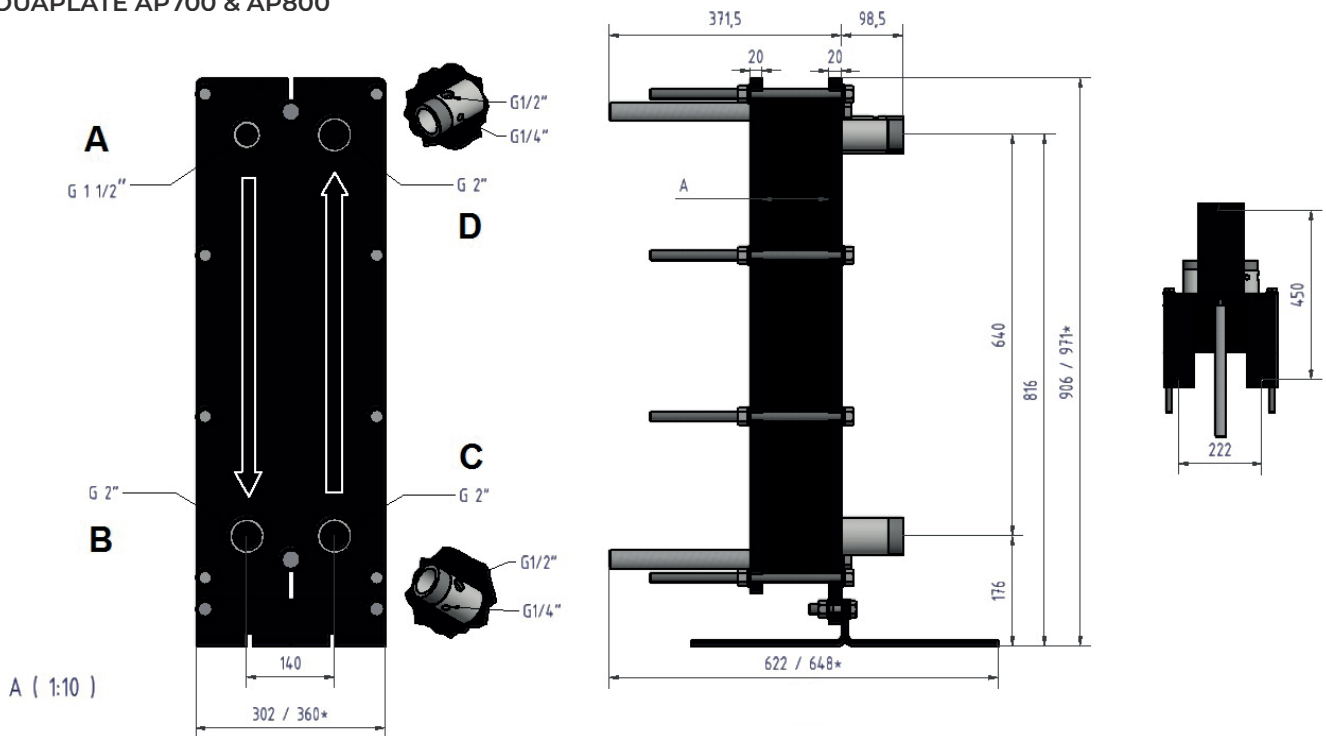
For other capacities or temperatures, please contact us: www.cetetherm.com

DIMENSIONS

AOUAPLATE AP400



AOUAPLATE AP700 & AP800



- A Primary inlet
- B Primary outlet
- C Secondary inlet
- D Secondary outlet
- * With PPE insulation

Operating limits	Design température	Design Pressure
Primary	110°C	10 bar
Secondary	110°C	10 bar